

ETATRACK active 1500-A

Single-axis Tracking System for PV Modules

Characteristics

- total module surface up to c. 16.5 m²
- no failure-prone light sensor
- no unnecessary tracking movements
- low power consumption (c. 1.5 kWh/year)
- statics according to German and European standards
- high reliability and life-expectancy
- excellent serviceability
- cost-efficient tracking system

Application

- single-axis tracking system for PV modules*
- additional energy yield of up to 40% compared to fixed installations



Design

Tracking Unit

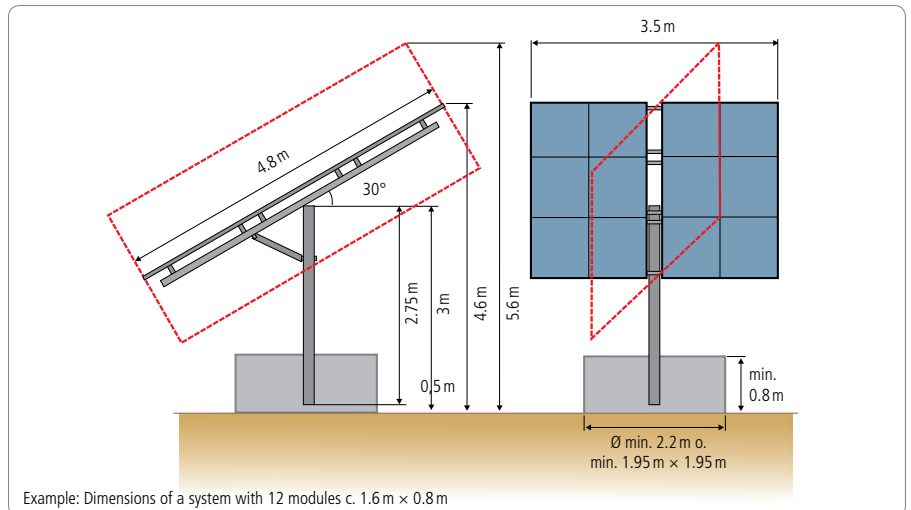
- single-axis tracking system
- angle of second axis adjustable 0–45° in steps of 5°
- elevation East-West: 90°
- module surface up to c. 16.5 m²
max. dimensions of mounted frames (supportive area, installation area PV modules): width: 3.5 m, height: 4.4 m, up to three rows of PV modules in upright position
- frame and supports: steel, hot-dip Zn-coated
- screw set: steel, Zn-coated
- module clamps made of stainless steel for mounting the PV modules using the holes in the module frame, incl. M6 stainless steel screw kits
- suitable for high wind speeds: statics according to German and European standards
- suitable for ground level installation
- low energy consumption c. 1.5 kWh/year
- maintenance-free

Control

- electronics incl. battery in plastic housing
- supply voltage: 12VDC (nominal voltage) up to 50Voc (open-circuit voltage), by one of the tracked modules**
- stepwise tracking, depending on the daily sunshine duration (length of day)
- South position in darkness
- synchronisation of multiple units possible
- standby mode in periods of low irradiation***

Drive

- DC linear drive
- maintenance-free



Foundation

- concrete foundation with steel reinforcement
min. 3 m³

Storage and Operating Conditions

- ambient temperature range: –25 °C to +50 °C
- daily average ambient humidity: max. 80 %
- air salinity: max. 2 µg/m³, or distance from coast: min. 1 km
- altitude: –400 m to +3,000 m MSL
- for detailed description of ambient conditions for safe operation, cf. installation manual
- designs for other conditions on request

Included in Delivery

- kit tracking unit
- module clamps (cf. design): 48 sets per tracking unit for 12 PV modules
- fixation for optional PV module (5 or 10Wp)**
- control
- drive
- installation manual
- optional: mounting clamps (J-clips), 36 sets per tracking unit for mounting the PV modules with middle and end clamps

* for framed PV modules according to IEC 61215, UL 1703

** for safe operation in specific system designs, an additional PV module (5 or 10Wp) might be necessary, cf. installation manual

*** for safe operation, cf. installation manual